

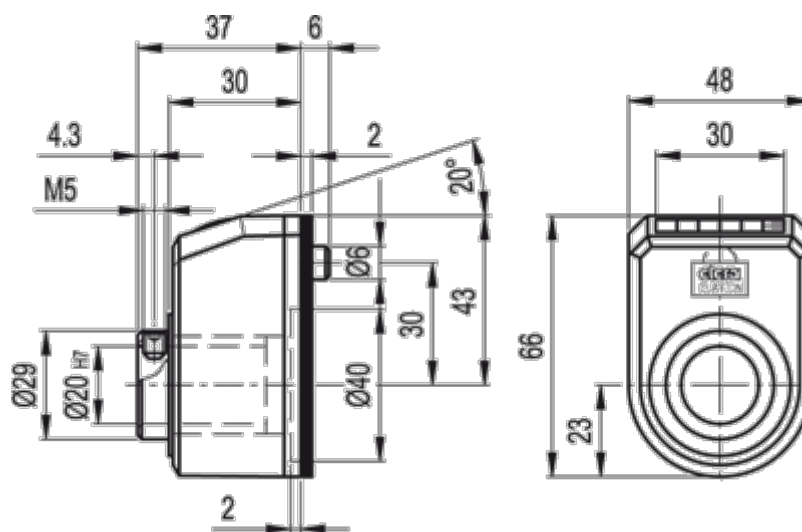
# Data Sheet



Article number: 2307082101

Description: E+G Direct drive position indikator  
DD52R-AN-000.50-D-C3 (Grey)

## Measures



Max rpm = 500